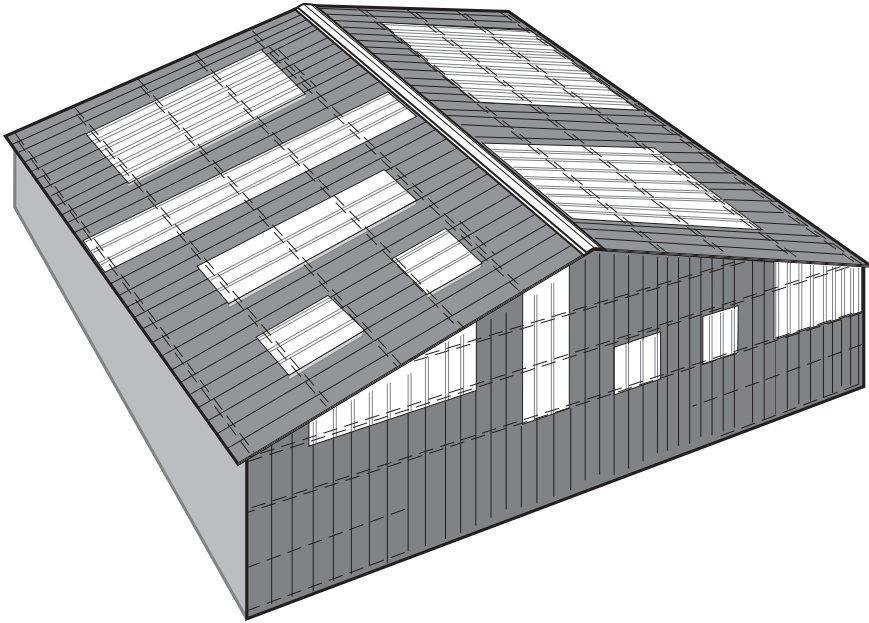




Premium Corrugated Polycarbonate Panels



# INSTALLATION GUIDE

# *Contents*

A. Introduction	3
B. Transportation, Handling & Storage	4
C. Chemical Resistance and Fire Hazard Comments	4
D. Profile Matching	5
E. Sawing, Cutting & Drilling	5
F. Safety Measures	6
G. Panel Orientation	6
H. General Information for Installation	6
I. Maximum Recommended Loads	8
J. Installation Comments	9
K. Fastening & Sealing	10
L. End/Weather Lap Installation	13
M. Options for Installation	15
N. Important Installation Notes	18

## A. Introduction:

SunSky is a high quality light-transmitting, corrugated polycarbonate panel designed to match the profiles of major types of metal roofing and siding panels. It is designed for single or multi-panel skylights or side lights in roofs and walls of metal-clad structures.

### Various Sunsky Skylight and Side Light Arrangements

- I** Single panel, single span
- II** Single panel run
- III** Multi-panel run

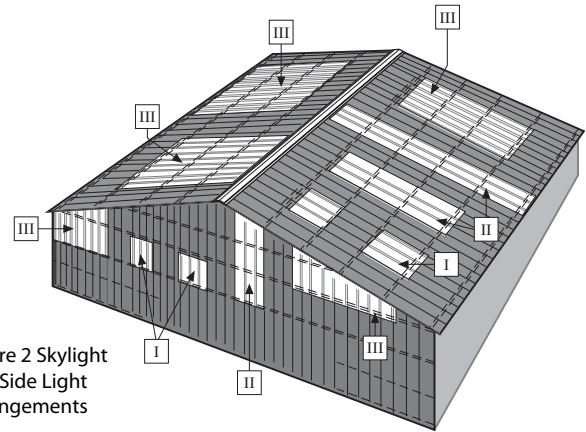
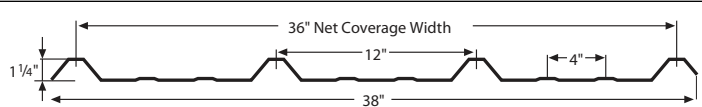
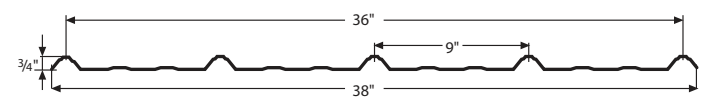
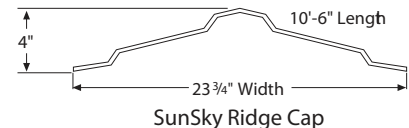
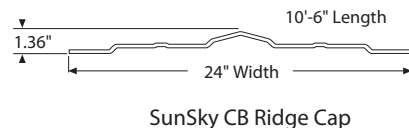
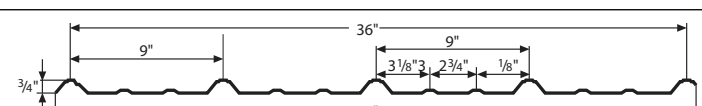
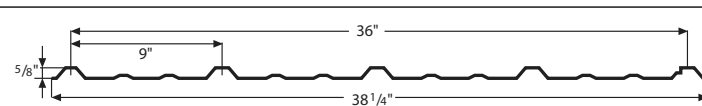
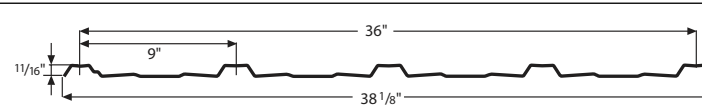
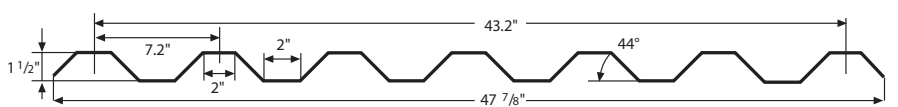
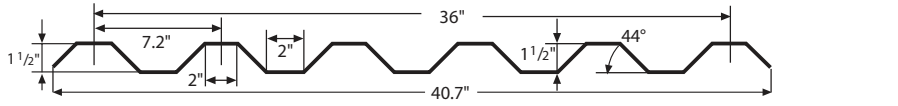
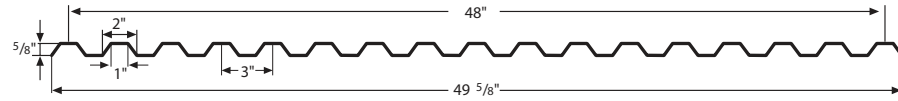


Figure 2 Skylight and Side Light Arrangements

Stock Profiles <i>(Typically readily available)</i>	Basic Dimensions and Profile Illustrations	
<b>SunSky 12"</b>		
<b>SunSky 9"</b>		
<b>Ridge Caps</b>	 <p>SunSky Ridge Cap</p>	 <p>SunSky CB Ridge Cap</p>

Specialty Profiles* <i>(Min's &amp; Lead Time Required)</i>	Basic Dimensions and Profile Illustrations	
<b>SunSky 9" B CR</b>		
<b>SunSky 9" PP</b>		
<b>SunSky 9" FR</b>		
<b>SunSky 7.2"</b>		
<b>SunSky 7.2"</b>		
<b>SunSky 3"</b>		

\* Note: Specialty profiles are typically not in stock, but can be produced provided minimum order requirements, lead time, and pricing considerations are met.

## B. Transportation, Handling & Storage:

1. Transport and store SunSky panels horizontally on flat, sturdy pallets, equal to or longer than the longest panels. Short panels should be stacked on top of longer ones. The panels should be secured and fastened to the pallet during transportation.



Figure 3

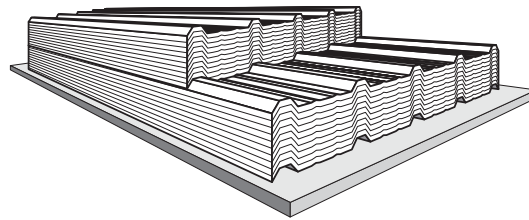


Figure 4

Storage of Panels

2. Store SunSky panels in a cool and shaded place, out of direct sunlight. Avoid covering the stack of panels with dark or heat-absorbing materials or objects, to prevent solar heat buildup.
3. When necessary to store panels outdoors, cover the stack with a white opaque polyethylene sheet, corrugated cardboard or other materials that do not absorb or conduct heat. Be sure that the entire stack is covered.
4. SunSky panels are tough, requiring no special care. However, we recommend some cautionary steps:
  - Avoid stepping on the panel, driving over the panel, or folding the panel when handling and installing.
  - Avoid dragging the panel on the ground, scraping it against the structural elements, or any other sharp or rough objects, to prevent the panel from getting scratched.

## C. Chemical Resistance and Fire Hazard Comments:

1. SunSky panels are resistant to a variety of chemicals and exhibit limited resistance to a second group of chemicals. A third group of chemicals may attack and damage the panel. Degree & severity of damage depends upon chemical type and duration of exposure.

Consult the Chemical Resistance Table in the full brochure. When in doubt, consult the Palram Technical Support Department or your distributor.

2. SunSky panels will melt at approximately 400°F, generating vent openings for smoke release in the event of fire. Standard operating temperature range for polycarbonate is -40°F to 212°F.

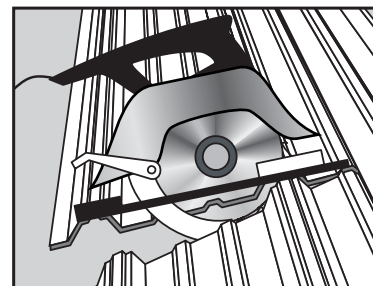
## D. Profile Matching:

1. SunSky profiles were designed to closely match commonly used metal profiles. These profiles, produced by a few major US suppliers, are manufactured with 5 and 4 main corrugations of 9" and 12" pitch respectively, with two minor corrugations in between. Other panels, appearing to be similar, differ in small but important ways and an exact match may be difficult to achieve.
2. SunSky 12" profile will not fit closely over or under the older R-Panel, produced with one central minor corrugation.
3. Slight detail differences such as corrugation height, slant, wave distance etc. will hinder exact matching of such a panel with a SunSky profile. This may lead to insufficient sealing, water leakage and forced installation, putting undue stresses on the SunSky panel while trying to adapt it to an "almost similar" metal profile. **Undue stress may lead to premature failure and void any and all warranties.**

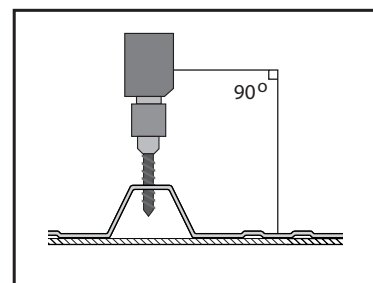
A careful comparison will disclose whether a standard SunSky panel matches your metal profile. In case of a mismatch, a customized SunSky profile may be produced to fit specific requirements, subject to a minimum quantity order.

## E. Sawing, Cutting & Drilling:

1. SunSky panels can be cut or sawed by manual or power tools. A bench/table circular saw is best for straight long cuts. For better results cut a few panels together. Portable circular saws are suitable for on-site straight cuts. A jigsaw is used for cutting a limited length of irregular or curved lines. Hand tools such as handsaw, metal shears or hand-held cutting knives can be used for localized, limited work.
2. **Sawing** is done with hardwood saw blades with small teeth, or special blades for plastics, spinning at high speeds, with a slow feed rate. Panels should be clamped during sawing, to avoid vibrations. Avoid intersecting cuts. Drill a hole at intersection point, then cut the panel up to the hole.
3. **Drilling** is done using a power drill, with regular high-speed steel bits intended for metal, rotating at about 1,000 RPM. Better results with SunSky are achieved using bits ground to shallower tip angle than for metal. Clamp the drilled panel down to avoid vibrations or movement during operation.
4. Keep the cut area clean. Blow away saw and drill dust with compressed air.



Sawing the panels  
 Figure 5



Drilling the panels  
 Figure 6

## F. Safety Measures: (during installation and afterwards)

1. Use ladders, crawling boards and other safety equipment required for safe installation. Use all safety measures required according to local safety regulations.
2. Always use appropriate scaffolding to service panels. Scaffolding should provide proper worker safety and ensure proper placement and distribution of weight to avoid damage to panels.

**Do not walk on panels for fear of falling and other severe bodily harm.**

3. Never leave SunSky panels unattended on the roof until all the required fasteners have been appropriately installed or the panels secured to the supporting structure.
4. Always follow local and/or national building and OSHA safety codes.



**Warning! Do not step directly on panels between the purlins! Use scaffolds, ladders, or crawl boards.**

Figure 7

### WARNING!

Fatal falls and serious injuries may result from inadequate guarding and fall protection for work around skylights and roof and floor openings.

## G. Panel Orientation:

1. SunSky's exterior surface is UV resistant, indicated by labeled strips on protected side. **Install the panel with the labeled side out.** The protected side is up when panel edges are both pointing down.
2. Installation Direction: For multi-panel runs, begin installation of SunSky on the side away from wind and rain direction.

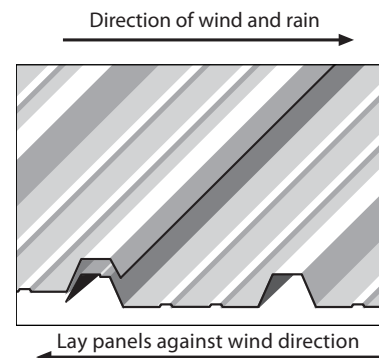


Figure 8

## H. General Information for Installation:

### 1. Roof Pitch:

SunSky performs best when installed at pitch rates of 10 percent (1":10" slope or 5.7°) or more. If installed at a lower pitch, additional sealing should be applied to insure weather resistance. A minimum slope of more than 5% is recommended when installing SunSky.

### 2. Load Rating and Maximum Recommended Distance (Typical profile variations are considered the same):

The depicted distances refer to a single panel, single-span installation on surrounding supportive compatible metal cladding.

#### 2.1 Load Rating Values: Sunsky panels load rating will vary according to the arrangement of panel(s) and existing or designed spans, as mentioned above.

- 3. Uplift Testing:** SunSky corrugated polycarbonate panels meet Uplift Test Criteria specified in UL 580 Test for Uplift Resistance of Roof Assemblies (UL Class 90). (Consult Palram Americas technical support for additional details if necessary.)

**Test Description**

**Roof Covering:** Corrugated polycarbonate roof panels with 9 inch spaced corrugations. The tested material comes in 0.032" thick x 38" width and 12 feet long.

**Fastener:** #12 - 14 x 1 1/4" Type 2 Structural Drilling Fastener, carbon steel, zinc plate with 3/4" O. D. heavy EPDM/galvanized washer.

**Uplift Test Results**

A buckled hip was visible during the test. The fasteners were in place and no cracks or breaks were found in the SunSky panels. The test assembly withstood all phase of test for Class 90. The roof assembly described in this report met the uplift test criteria specified in UL 580 - Test for Uplift Resistance of Roof Assemblies. **Note:** The buckled hip returned to the original shape after testing with no panel damage or permanent deformation.

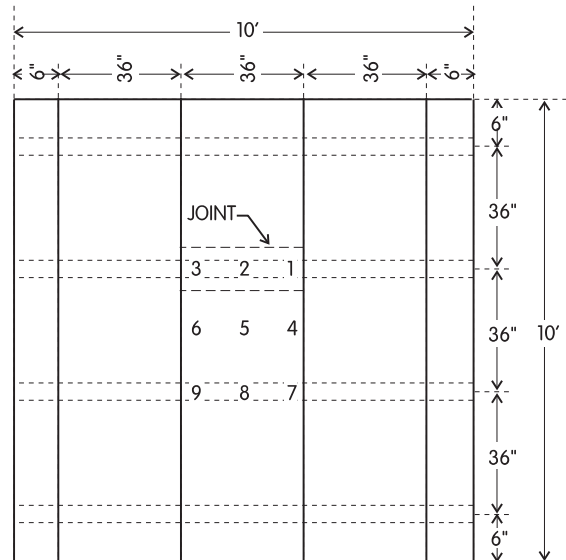


Figure 9

- 4. Purlin & Girt Spacing:** Purlin and girt spacing are usually dictated by overall design and engineering calculations along which the whole structure is constructed. SunSky panels are installed at the same purlin/girt spacing as the rest of the metal panels in the structure (according to ICBO Evaluation Acceptance criteria, p. 3).

Verify that the installed SunSky panels will remain within the uniform load-supporting limits of deflection as observed by the Evaluation Acceptance tests (see the "Uniform Load" diagrams and "Uplift" paragraphs).

In case purlin/girt spacing of the metal-clad structure surpass the values depicted in the tables by a significant margin (especially in multi-panel runs), a secondary support system, based on data in the above mentioned tables, should be prepared for the SunSky skylight or side light.

When support spacing is marginally larger, on-site environmental conditions should be considered and acted upon.

## I. Maximum Recommended Loads

Panel Type	Panel Thickness		Span Between Supports			
	Inch	mm	2 feet	3 feet	4 feet	5 feet
<b>Sunsky 9"</b>	.031	0.8	50 psf	25 psf	10 psf	--
	.039	1.0	50 psf	30 psf	12.5 psf	--
	.047	1.2	50 psf	35 psf	15 psf	--

<b>Sunsky 12"</b>	.031	0.8	50 psf	50 psf	35 psf	20 psf
	.039	1.0	50 psf	50 psf	45 psf	25 psf
	.063	1.5	50 psf	50 psf	50 psf	35 psf

<b>Sunsky Greca 3"</b>	.031	0.8	50 psf	30 psf	10 psf	--
	.039	1.0	50 psf	35 psf	15 psf	--

<b>Sunsky 7.2"</b>	.031	0.8	50 psf	50 psf	50 psf	30 psf
	.039	1.0	50 psf	50 psf	50 psf	40 psf
	.063	1.5	50 psf	50 psf	50 psf	50 psf

- The dimensions specified do not supersede the requirements of local construction codes.
- The maximum recommended loads are based on continuous beam setting, according to allowed deflection of 1/20 of the span, and valid for mid span only.
- The mentioned load refers to both wind and snow loads and intended for roof lights/wall lights only.



## J. Installation Comments (Roofing & Siding):

- 1. Single Panel Run Installation:** The length (long side) outermost crests of a SunSky panel should lap over matching adjacent crests of metal panels on both sides.
- 2. Multi-Panel Run Installation:** The middle SunSky panels should be installed with the regular under/over length overlap (the short crest edge on top of a longer one). The outermost SunSky panels on both length sides will lap over the adjacent matching metal panels, as in a single panel run, unless designed otherwise.

**Important!** Whenever the extreme side-laps of a Sky Light or Side Light side-laps are installed on top of the adjoining metal panels, the overlapping metal panel(s) above the opening should also be installed the same.

- 3. Framed Independent Side Light Installation:** An installation method for Side Lights, requiring framing for the apertures in the siding. Frame details enable installation of any SunSky profile, independent of the surrounding wall cladding.

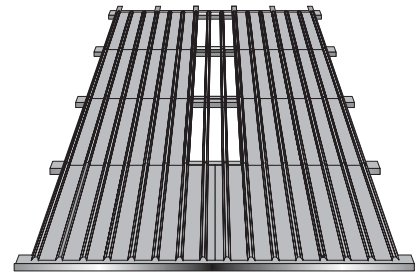
Aluminum profile framing is very suitable, relatively inexpensive, and available in a wide variety of shapes, and is easy to work with (Custom shapes are available with minimum quantity requirements).

Fabricated zinc plated, painted or stainless steel sheet are possible options, moderately priced and easy to fabricate. Wood framing is also possible, especially for small-scale and DIY jobs. Typically, the designs of these structures are more simple to build, and requires only basic everyday tools.

- 4. Side-lap Support:** At side-laps where the SunSky edge corrugation has to be installed under the corrugation of the adjoining metal panel, or in SunSky on SunSky side-laps (multi-panel runs) length support profiles, of metal or wood, are recommended. Such length supports ensures better side seal and rigid installation. (See Fig. 20, 34)

Support details should suit the Sunsky profile used.

### SunSky Sky Lights in roofing:

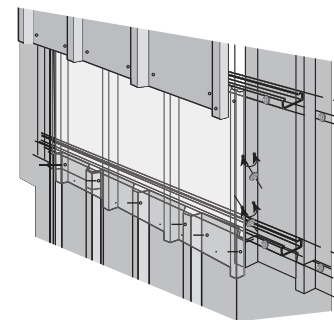


Single panel run  
 Figure 10

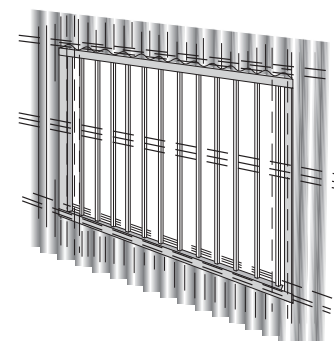


Multi panel run  
 Figure 11

### SunSky Side Lights in siding:



Single-span, single-panel  
 Side Light depiction  
 Figure 12



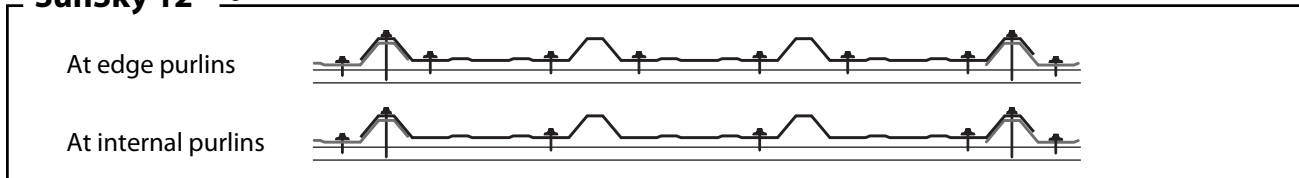
Multi-span, multi-panel  
 framed Side Light  
 Figure 13

## K. Fastening & Sealing:

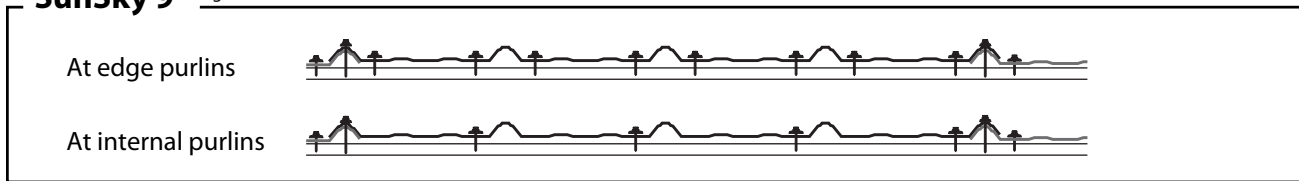
1. **Following recommendations:** Use of recommended fasteners and washers, along with careful execution according to the installation instructions is essential for maximum product performance.

### 2. Graphic depiction of SunSky Fasteners Positioning at Side-Laps, Supports & End-Laps:

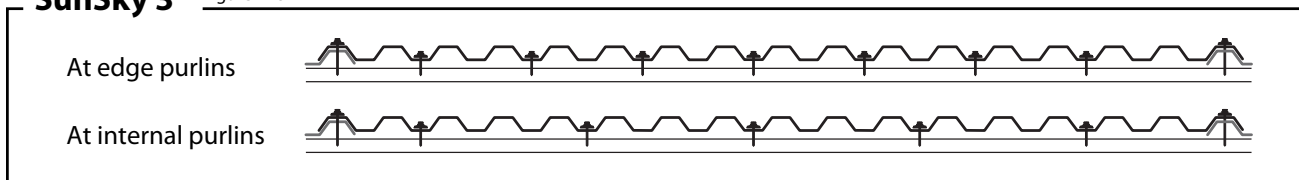
#### SunSky 12" Figure 14a



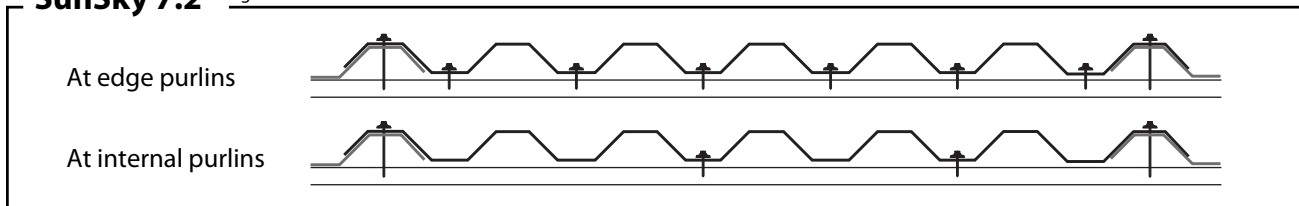
#### SunSky 9" Figure 14b



#### SunSky 3" Figure 14c



#### SunSky 7.2" Figure 14d



### 3. Recommended Washers & Fasteners:

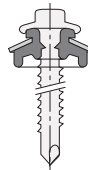
**Metal structures:** Self-Drilling Tapping Screw

**Wood structures:** Tapping Screw

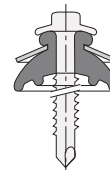
**Side Stitching:** Sharp Point Self-Tapping Screw

**Washer:** Palram metal washer with EPDM gasket  
(see figure 15a and 15b)

#### Palram Metal Washer with EPDM Gasket



3/4" (19 mm) Washer/gasket  
Figure 15a



1" (25 mm) Washer/gasket  
Figure 15b

#### Stitch Screw

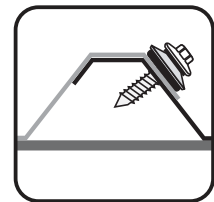


Figure 16a

### Suggested Fastener Types and Placement Table 4

	SunSky 9"	SunSky 12"	SunSky Greca 3"	SunSky Greca 7.2"
Fastening at crown	1/4" x 2" with 3/4" washer	1/4" x 2-1/2" with 1" washer	1/4" x 1-3/4" with 3/4" washer	1/4" x 1-3/4" with 1" washer
Fastening at valley	1/4" x 1-1/2" with 1" washer	1/4" x 1-1/2" with 1" washer	1/4" x 1-1/4" with 3/4" washer	1/4" x 1-1/2" with 1" washer

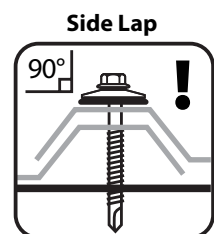


Figure 16b

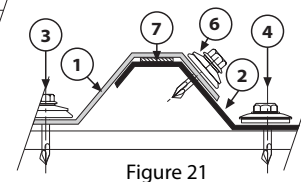
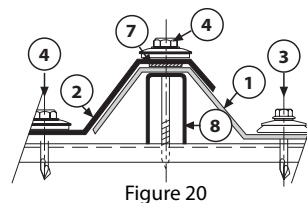
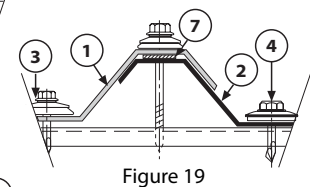
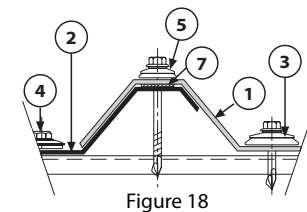
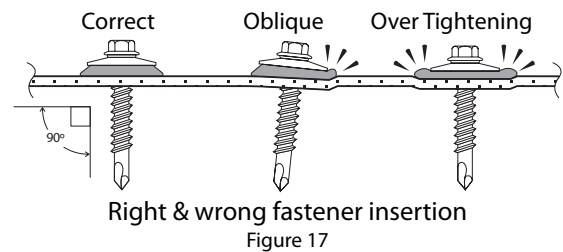
#### 4. Palram Washer/Gasket Combinations:

- a. **Small Washer** - 3/4" (19mm) Special Bonded Washer/ Gasket (BWG)- conical metal washer (zinc-plated/ aluminum/ stainless steel), with bonded shaped EPDM gasket (see Figure 15a). As a general rule, 3/4" washers are installed on the corrugation crest fastening points.
- b. **Large Washer** - 1" (25mm) Special Combined Washer/ Gasket (CWG)- conical metal washer (zinc-plated/ aluminum/ stainless steel), with attached dome-shaped, contoured EPDM gasket (see Figure 15b). As a general rule, 1" washers are installed at the valley fastening points. 1" (25mm) washer/gasket combinations fasteners are especially recommended for panel lengths in excess of 12'. Additional oversize pre-drilling is also recommended in this case to accommodate additional expansion and contraction of the longer panels.

**IMPORTANT NOTE!** Palram Washer/Gaskets were chosen after comprehensive performance testing. The "umbrella" shaped gaskets seal the fastener holes & heads well without exerting excessive pressure on the SunSky panel itself. Limited thermal expansion is possible and compatibility with polycarbonate assured. **Regular Washer/Gaskets Fasteners (e.g. Tek Screws) for metal panels are NOT RECOMMENDED for use with SUNSKY as these types of washers apply excessive pressure, are inadequate for SunSky sealing, and cause undue internal stresses in the panel. The stresses result in crazing, fractures, and eventual failure. Installations using such fasteners are strongly discouraged and are subject to nullification of warranty.**

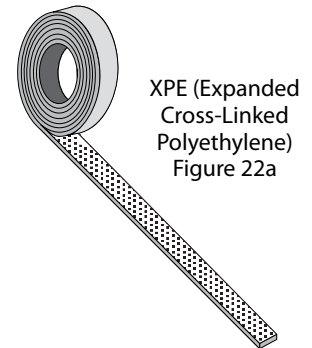
#### 5. Installation & Fastening Tips:

- a. **Panel runs in excess of 12':** Pre-drill all fasteners by at least 1/16" greater than the diameter of the fastener to allow for increased expansion and contraction due to longer length.
- b. **Drive fasteners perpendicular to SunSky face.** Use an adjustable-torque power screwdriver to ensure against overtightening. Avoid distortion of washer/gasket and panel. (See fastener positioning details - Figure 17). **Never use an impact wrench/driver for fastening SunSky.**
- c. **Installation Direction:** We recommend starting installation from the bottom up, on one side, and work to the left or right accordingly. **Never start working from both ends to the middle.** Always lap the top panel over the lower one.
- d. **Keep panel straight, flush and taut during installation.**
- e. **Do not overtighten** (see "Important Not above and Figure 17)
- f. **Side-Lap Support:** At a side-lap of metal on SunSky or two SunSky panels (multi-panel installation) a lengthwise wood or steel support bar may be required.
- g. **Fastening Details** (Schematic Figures 18, 19, 20, and 21):
  1. SunSky panel
  2. Adjoining metal panel
  3. Valley fastener, with 1" Washer
  4. Metal crest/ valley fastener
  5. Side-lap fastener with 3/4" washer
  6. Side-lap stitching fastener and 3/4" washer
  7. Butyl-rubber or expanding sealing strip
  8. Optional side-lap support bar
- h. **Fasteners Positioning Comments:**
  - Generally valley fasteners should be installed at the top & bottom edges, and at end-laps of SunSky panels, as shown on Page 10, Section K, Figures 14a-14d.
  - In multi-panel runs, the number of fasteners can be reduced at mid-purlins, unless conditions demand otherwise. The remaining fasteners should be evenly positioned adjoining the main corrugations of the specific panel.
  - Stitching screws should be distributed 12"-16" apart.



## 6. Sealing SunSky:

- a. Self-Adhesive XPE Sealing Tape (Expanded Cross-Linked Polyethylene):** Resilient, closed cells, self adhesive foamed-polyethylene, in long at strips, to be applied at sides & end-laps, on top of the overlapped area. Cross-section dimensions may vary according to specific requirements. A typical one is 3/4" (20.0 mm) width, 3/16" (5.0 mm) thickness and comes with pressure sensitive adhesive on one side, protected by silicone paper.



### Butyl-Rubber or Expanding Sealing Tape:

Elastomeric or Expanding Sealing Tape to be applied at side & end-laps, on top of the overlapped area. Do not use mastic tape.

**Install as follows:** (See Page 11, Figures 18-21 and Page 13, Figures 23-25)

Remove bottom protective paper strip progressively, as installation advances. Apply carefully by hand.

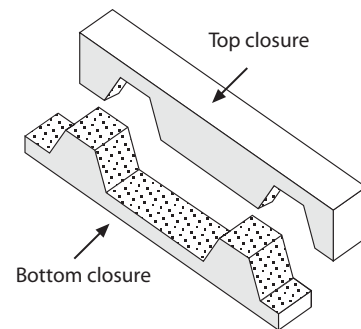
- **Single seal end-lap:** Apply along fasteners' center-line at the end-lap, following the profile shape.
- **Double seal end-lap:** Apply above and below fasteners' center-line at end-lap, following the profile shape.
- **Single seal side-lap:** Apply on top of center-line of side corrugations to be overlapped by metal or SunSky.
- **With butyl-rubber strips only:** Remove top protective paper strip before laying the overlapping panel. Lay the edge of lapping panel and apply moderate hand pressure on the top panel along the side corrugation, to assure good fitting and/or even seal/bond.

## b. Top & Bottom Contoured End Closures:

Top or bottom matching closure strips close the clearance above or below the panel and its corrugations.

### Install as follows:

Place the closure strip at the top or bottom edge fasteners' center-line, and insert the fasteners through said strip so it will be held firmly in place. A few dabs of silicone could hold the strip temporarily in place until the top panel is laid and screws are inserted. (Figures 26a, b, 27a, b, 30)



Top & Bottom End Closures  
(SunSky 12")  
Figure 22b

- **Location A:** Where SunSky runs reach the top or bottom of roof or wall edges, or at the roof ridge, the space left between the panel's profile and the purlin, or girt, should be closed and sealed with a contoured foam, polyethylene (XPE) closure strip matching the panel profile.
- **Location B:** Where SunSky runs reach a top trim, or at a ridge-cap, a top closure strip should be used at the top edge above the panel.
- **Alternative option:** Contoured-end closure may also be made of wood, when it's worthwhile.

## c. Silicone Sealants:

- Palram strongly recommends the use of Palram SunSeal brand approved silicone sealant, and other tested and approved sealing, bonding and adhesives materials that may be required.
- Other silicone sealants or other sealing, bonding or adhesives materials should be submitted to Palram Americas or its distributor for evaluation and approval before use.



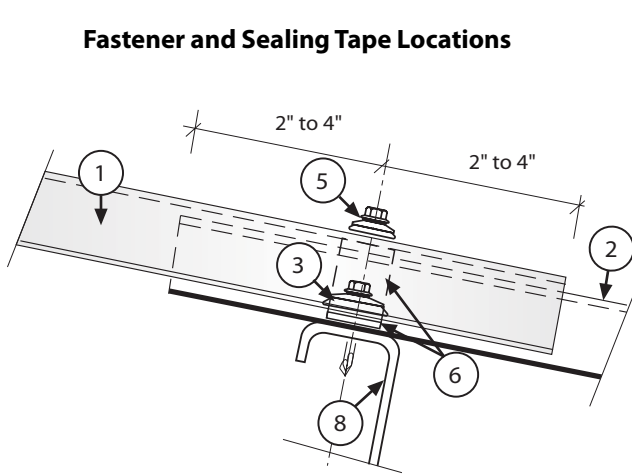
Silicone Sealant  
Figure 22c

**Unapproved sealants, adhesives or bonding materials may be found ineffectual and incompatible, and can chemically attack the panels, originate failure, and revoke any and all warranties.**

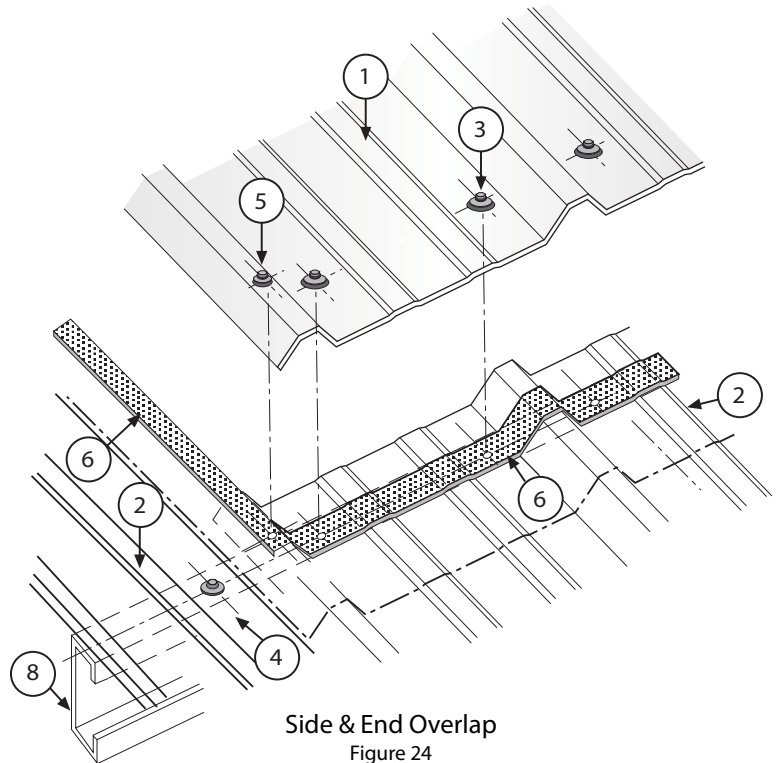
## L. Side & End Lap Installation:

End lap (or width overlap - short side) of a SunSky panel on another consecutive SunSky or metal R-panel, should always be done over a supporting purlin. Each of the panels involved should overhang the purlin center-line by about 3" (2" min. and 4" max.), totaling an average overlap of 6".

### Fastener and Sealing Tape Locations



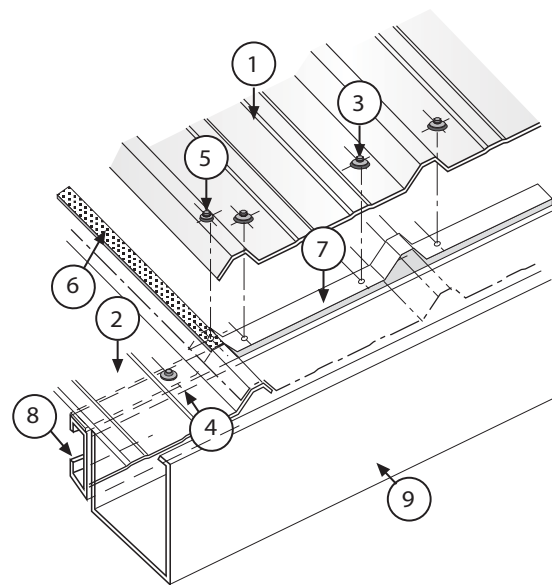
End-Lap Detail  
Figure 23



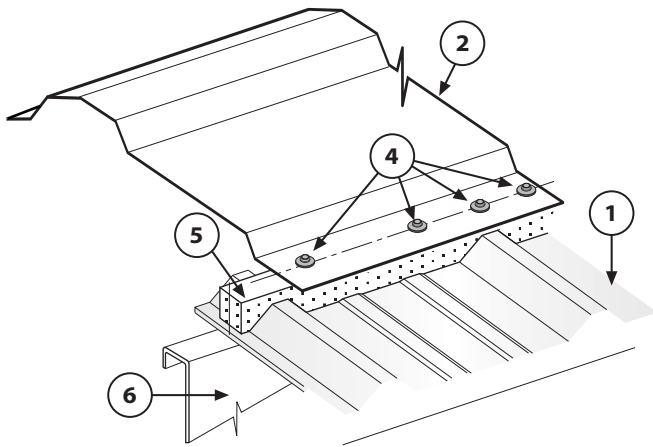
Side & End Overlap  
Figure 24

### Legend

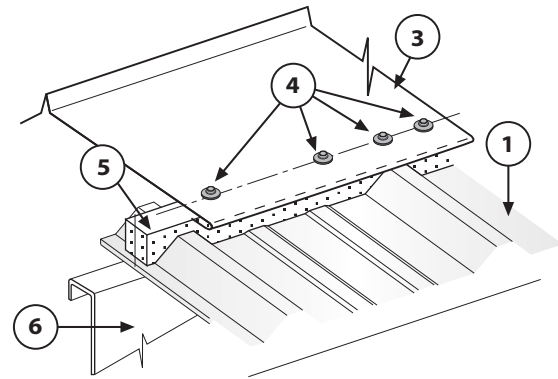
- ① 12" SunSky panel
- ② Metal R-panel
- ③ SunSky valley fastener, with Palram 1" special washer gasket
- ④ Typical sheet-metal crest or valley fastener with 3/4" washer and gasket
- ⑤ SunSky crest (side-lap) fastener with Palram 3/4" special washer & gasket
- ⑥ Sealing tape installed along side & end lap corrugations
- ⑦ Shaped bottom-end closure
- ⑧ Supporting purlin
- ⑨ Option Drainage Gutter



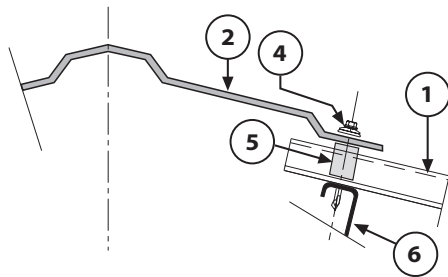
Bottom Edge SunSky Installation  
with Profiled Closure Strip  
Figure 25



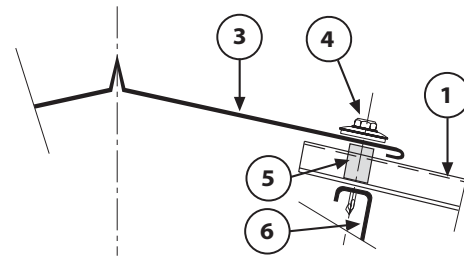
SunSky Ridge Cap Fastening  
Figure 26a



Sheet-Metal  
Ridge Cap Fastening  
Figure 27a



SunSky Ridge Cap Fastening  
& Top Partial Section  
Figure 26b



Sheet-Metal Ridge Cap Fastening  
& Top Partial Section  
Figure 27b

**Legend**

- ① 12" SunSky panel
- ② SunSky Universal Ridge Cap
- ③ Sheet-metal universal ridge cap (typical)
- ④ Crest fastener (side-lap) with Palram 3/4" special washer & gasket
- ⑤ Shaped Foam Closure (fits topside of panel)
- ⑥ Supporting purlin

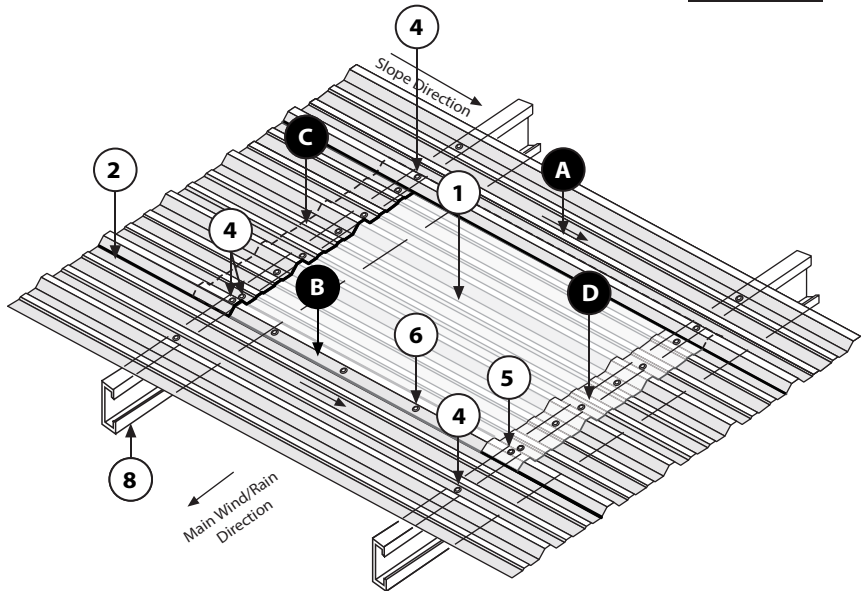
**Important notes about installation of SunSky Ridge Caps**

1. Do not over tighten screws when installing. If ridge cap deforms, screws are too tight.
2. Use recommended fasteners as stated in Table 4 (page 10).
3. When installing clear ridge caps on wood purlins, purlins should be painted with white acrylic-based paint prior to installation. This will help prevent overheating and possible charring of the purlins.

## M. Options for Installation:

### 1. Single width, single span installation

(on 2 edge support purlins), integrated and surrounded by matching metal panels, overlapped on top, overlapping and supported on both sides and at the bottom. This dictates that the top metal panel is also installed with its edge corrugations overlapping at both sides, up to the roof edge or ridge.



Typical, Single Panel, Single Span Mid-Field Detail

Figure 28

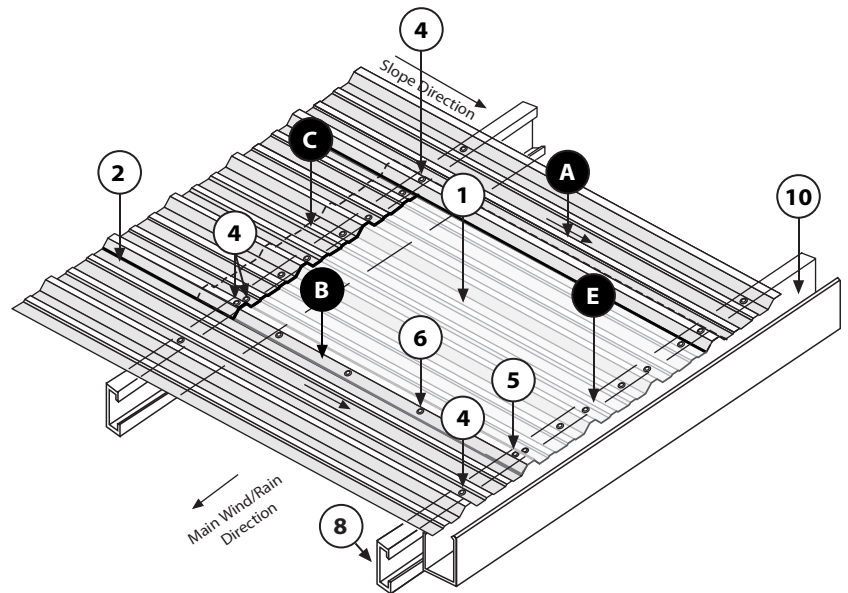
### LEGEND

#### Connections

- A** Right side-lap: metal R-panel overlaps 12" SunSky panel
- B** Left side-lap: 12" SunSky panel overlaps metal R-panel
- C** Top end-lap: top metal R-panel laps over top edge of SunSky panel
- D** Bottom end-lap: bottom edge of SunSky panel laps over top edge of metal R-panel
- E** Bottom edge detail: SunSky panel at the bottom edge of a roof, with or without a gutter

#### Components

- ① 12" SunSky panel
- ② Metal R-panel
- ③ SunSky valley fastener, with Palram 1" special washer gasket
- ④ Typical sheet-metal crest or valley fastener with 3/4" washer & gasket
- ⑤ SunSky crest (side-lap) fastener with Palram 3/4" special washer & gasket
- ⑥ SunSky side-lap stitching fastener
- ⑦ Foam closure (underside shape)
- ⑧ Supporting purlin
- ⑨ Main supporting truss / beam
- ⑩ Optional collecting gutter



Typical Bottom End SunSky Detail (with or without gutter)

Figure 29

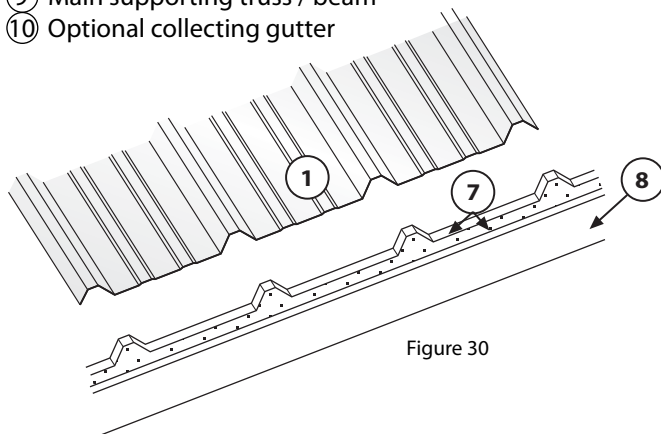


Figure 30

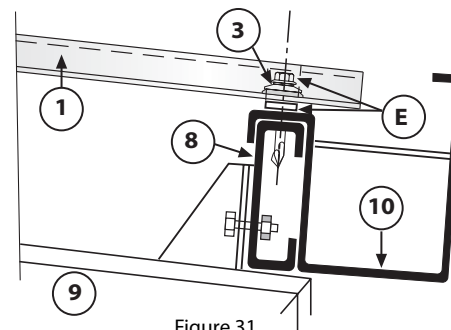


Figure 31

**2. Single width, multi-span installation**, on a few support purlins, using one single long panel or a few consecutive ones, overlapping each other (See Single-Panel Runs, page 9, fig. 10).

This option can be implemented by two possible alternatives:

- Installed mid-field, surrounded by matching metal panels, overlapped on top, overlapping both sides & bottom.
- Installed from top to bottom or from ridge to bottom (one or two way pitched roof). This alternative enables the use of SunSky panels on metal roofs with profiles that don't exactly match.

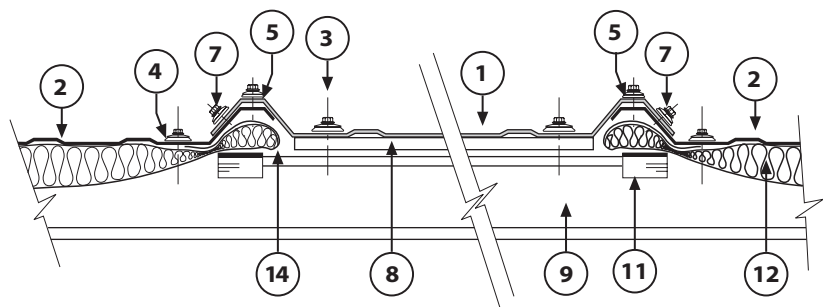
Both alternatives allow SunSky panels installation on top of outermost length corrugations of metal panels on both sides, for tougher, stiffer installation with better sealing, enabling easy installation of the SunSky skylight panels after the metal roofing is already in place (proper clearance must be provided for).

**3. A multi-width, multi-span installation** (See Multi-Panel Runs, page 9, fig. 11).

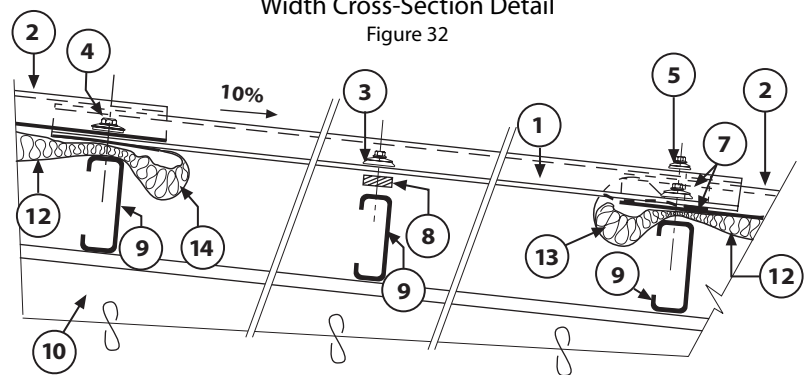
This can be implemented the same way as the two alternatives mentioned above, either as an integrated part of a roof plane, or as an independent roof, its edges overlapping the metal panels on its two sides.

**4.** When installing SunSky on glass fiber mats insulated steel roof, be sure to use a suitable spacer along the purlins and avoid any contact between the vinyl finish of the mats and the SunSky panels (fig. 32, 33).

- ① 12" SunSky single / single-run / multi-run skylight panel, overlapping lengthwise on both sides
- ② Typical metal R-panel installed on all sides
- ③ SunSky valley fastener, with Palram 1" special washer & attached EPDM conical washer
- ④ Typical sheet-metal crest or valley fastener with 3/4" washer & gasket
- ⑤ SunSky crest (side-lap) fastener with Palram 3/4" special washer & gasket
- ⑥ SunSky side-lap stitching fastener
- ⑦ Butyl- rubber sealing strip installed along width & length end corrugations at all overlap.
- ⑧ Height equalizing shim - wood or rigid plastic bar of suitable thickness compensating for the thickness of the insulation mat at the purlins
- ⑨ Supporting steel purlin
- ⑩ Main supporting structure
- ⑪ Galvanized sheet-metal strip for insulation mat support
- ⑫ Glassfiber or rockwool insulation mat underneath the steel roofing with reinforced aluminum foil or vinyl film bottom finish, supported by the metal strips



Width Cross-Section Detail  
Figure 32



Length Section Detail  
Figure 33

- ⑬ End of insulation mat at the lower edge of the skylight with the mat edge tucked back and under metal to create a nice edge finish
- ⑭ Same as ⑬ but at the upper edge of the skylight, and at vertical edges. **Caution:** The vinyl used on insulation make be incompatible with SunSky. Insert a separative layer between the SunSky sheet and the tucked-back vinyl-covered insulation to prevent potential outgassing damage to the SunSky panel.



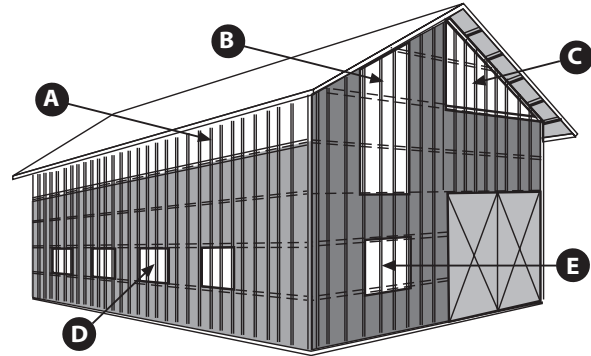
### 5. Installing SunSky Side Lights on Exterior Walls:

When installing, fastening and sealing side lights, follow the same general procedures for roof installation as described on the preceding pages.

Certain installation methods are specific to siding installation, like the framed Side Light.

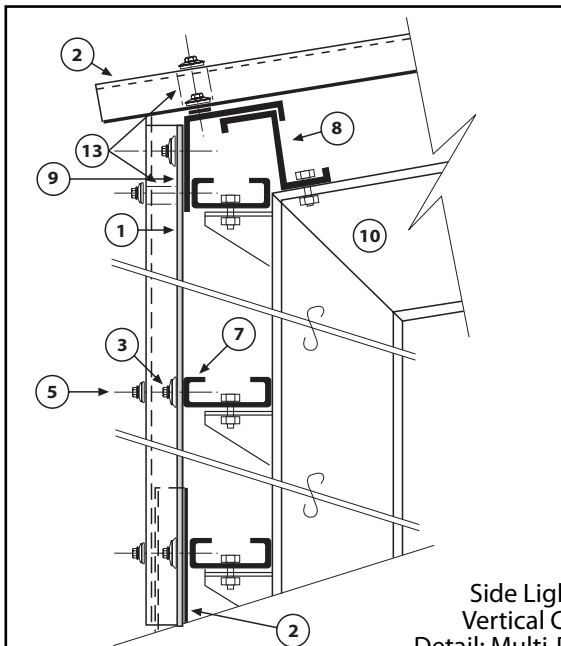
#### Typical Side Light Applications:

- A** Multi-panel, single-span
- B** Single-panel, multi-span
- C** Multi-panel, multi-span
- D** Single-panel, single-span (Figures 12)
- E** Framed Side Light (Independent of surrounding cladding type)



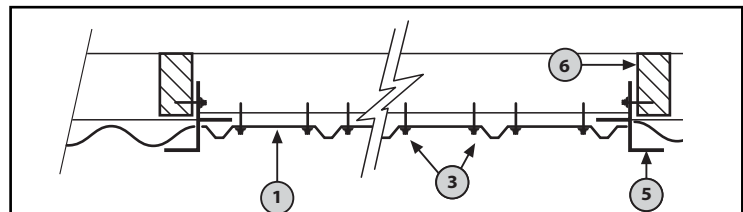
Typical Side Light Applications

Figure 34



#### Integrated Side Light Details

- ① 12" SunSky side light panel
- ② Metal panel
- ③ SunSky valley fastener
- ④ Sheet-metal fastener
- ⑤ SunSky crest fastener
- ⑥ Side lite metal or wood length support
- ⑦ Wall girt
- ⑧ Roof-edge Z purlin
- ⑨ Eave-strut
- ⑩ Main supporting frame
- ⑪ Structural corner profile
- ⑫ Sheet-metal corner trim
- ⑬ Shaped foam closure (underside shape)

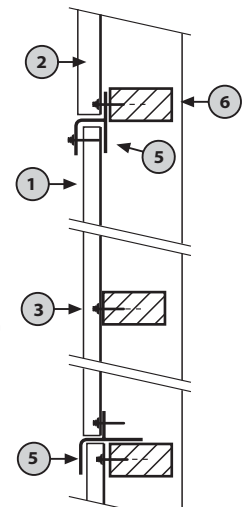


Framed Side Light Horizontal Section

Figure 34

#### Framed Side Light Details

- ① Side Light panel
- ② Surrounding cladding
- ③ Top & bottom valley fasteners
- ④ Mid-field fasteners
- ⑤ Side light framing (a.k.a. Z or h channel)
- ⑥ Wood/steel main frame

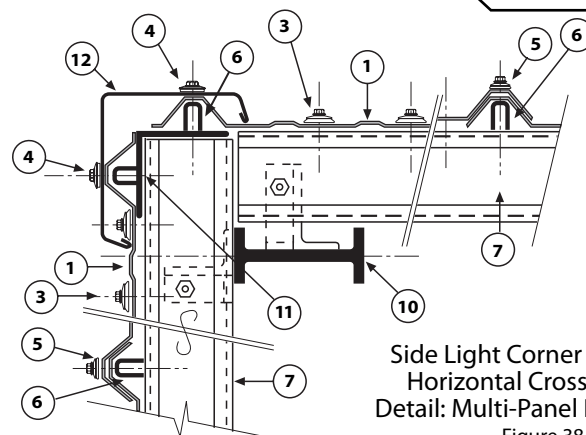


Typical Side Light Vertical Section

Figure 34

Side Light Fastening Vertical Cross-Section Detail: Multi-Panel Run Option

Figure 37



Side Light Corner Fastening Horizontal Cross-Section Detail: Multi-Panel Run Option

Figure 38

## N. Important Installation Comments:

- 1. Avoid overtightening the fasteners.** Allow gaskets to squeeze slightly until full contact with panel. Overtightening induces undue internal stresses, leading to premature failure.  
**Regular Washer/ Gaskets (Tek Screws) for metal panels apply excessive pressure, are inadequate for SunSky sealing, and cause undue internal stresses in the panel. The stresses result in crazing, fractures, and eventual failure.**
- 2. Never use** soft PVC (vinyl) washer/gaskets. Soft PVC is totally incompatible to polycarbonate and will harm the panel.
- 3. Never apply** paints, shading compounds, paint thinners or any material that may chemically attack SunSky, without first verifying compatibility to the panel by contacting Palram Americas or its distributor.
- 4. Always work safely.** Follow safety recommendations in the Installation Instructions.
- 5. Maximum span:** Net spans should not exceed 5" to avoid thermal expansion buckling. In areas where there are significant snow loads, spans should not exceed 3'. Follow recommendations on page 7.
- 6. Fastening:** Always use recommended fasteners for securing Sunsky. Never install SunSky by nailing.
- 7. Isolating SunSky from harm:** When placing SunSky on asphalt shingles, soft PVC or vinyl, or other incompatible materials, use an isolating barrier, metal or wooden strips, EPDM rubber patch etc., between the panel and a doubtful material.
- 8. Extra Fastening:** On length runs, where SunSky overlaps metal panels on both sides, we recommend side stitching fasteners beside the main fasteners connecting the SunSky to the frame. These should be spaced along the side-laps about 12-16" apart.
- 9. End-Lap Support:** SunSky/metal or SunSky/SunSky panel end-lap should always be fully supported, to avoid deflection at that area. This also applies to ridge-cap/SunSky end-lap.
- 10. Support Profiles:** At SunSky/SunSky or metal/SunSky side-lap (length overlap), metal or wood length support bars can be added under the side-lap to minimize deflection, assisting in sealing & stitching. The length support bars should be sized to suit the corrugations.
- 11. Silicone Sealant:** use Palram SunSeal™ brand approved silicone sealant. Refer to Palram Americas or its distributor for other approved sealing or bonding materials should they be required. **Unapproved sealing or bonding material may be incompatible, damage the panels, cause failure and void warranty.**
- 12. Butyl-Rubber Seals:** Side-laps and End-laps of any SunSky profile should be treated with butyl-rubber or expanding tape, placed between the overlapping panels at all edges. In shallow pitch roofs (less than 5 percent) double (parallel) sealing strips are recommended at end-laps.
- 13. Shaped Foam Closures:** Expanded foam polyethylene (XPE) closure strips are used to seal the space between the upper or lower SunSky profile to edge purlins or ridge caps. Matching XPE top & bottom strips are available for each major SunSky profile. The strip is held in place by the screws fixing the panel to the purlin. (see figures 26a,b, 27a,b, 30).
- 13. When installing clear SunSky,** it is advisable to paint purlins using white acrylic paint, or to cover with aluminum tape, in order to prevent over-heating and/or charring of the purlins.

**14. Cleaning:** Most normal dirt & dust accumulation is washed off by periodic rains. Regular hosing of the panels with clean lukewarm water is sufficient in dry areas.

In polluted, oily environments, mild household detergent may be used, assisted by a soft rag or soft-bristled brush. **Never use aggressive or abrasive cleaning agents or glass window cleaners.** They may scratch or chemically attack the panel. Large areas-could be washed by high-pressure water-jet, optionally, in conjunction with diluted detergent. Dry with soft cotton rags to avoid spotting.

**15. Repair:** Minor damages to the panel may be repaired. Small punctures can be stopped by dabs of approved silicone sealant. Larger tears may be patched by pieces of matching panel, bonded & sealed on top of the tear with compatible structural silicone.

**16. Study and Preparation:** Prior to actual installation study the SunSky Installation Guide carefully. Make sure all the instructions are understood and all required materials, accessories and tools are available.

**17. Information:** Please contact Palram or its distributor regarding any applications, requests and inquiries you may have before starting installation.

**18. Accessories Information & Supply:**

Palram Americas and its distributors will assist, advise and supply, upon request, various additional accessories that may be required for appropriate installation, such as butyl-rubber or expanding sealing tape, special fasteners and washer/gaskets, etc.

Inasmuch as Palram Americas has no control over the use to which others may put the product, it does not guarantee that the same results as those described herein will be obtained. Each user of the product should make his own tests to determine the product's suitability for his own particular use including the suitability of environmental conditions for the product. Statements concerning possible or suggested uses of the products described herein are not to be construed as constituting a license under any Palram Americas patent covering such use or as recommendations for use of such products in the infringement of any patent. Palram Americas or its distributors cannot be held responsible for any losses incurred through incorrect installation of the product. In accordance with our company policy of continual product development you are advised to check with your local Palram Americas supplier to ensure that you have obtained the most up to date information.

**Palram Americas** reserves the right to change product specifications and/or information contained in this brochure without notice.



**PALRAM AMERICAS**

9735 Commerce Circle, Kutztown, PA 19530  
Phone: 610-285-9918 (Toll Free: 800-999-9459)  
Fax: 610-285-9928  
E-mail: [PalramAmericas@palram.com](mailto:PalramAmericas@palram.com)  
Web Site: [www.PalramAmericas.com](http://www.PalramAmericas.com)

